

ARIVO License Plate Recognition

The heart of a 100% digital parking system

The Arivo license plate recognition is the basis for our parking system, enabling the digitalization of barred and freeflow parking areas.

Our LPR is impressively reliable, boasting a detection rate exceeding 99.5 % — even under difficult conditions & at speeds of up to 70 km/h.



Advantages

- ✓ **> 99,5 % Recognition rate**
Even in difficult conditions (such as dirt, rain or snow)
- ✓ **Flexible installation**
Whether on the ceiling, the wall or free-standing
- ✓ **Weatherproof & robust**
Certified to IP66 & IK10
- ✓ **Integrated into existing systems possible**
Enables the reuse of barriers & roller shutters and thus saves costs
- ✓ **DSGVO-compliant**
Find out more at www.arivo.co/parksystem-datenschutz

Arivo license plate recognition in detail

Our license plate recognition system **reads the license plate in just a few milliseconds**. As a vehicle approaches, the license plate is read between 50 and 200 times from a distance of just 40 meters. The license plate number is derived from these readings, rendering individual misreadings caused by reflection, shadows, obstruction, or unfavorable angles inconsequential.

This rapid reading capability enables the tracking of the vehicle in the image and the **determination of its direction of travel**. Our LPR technology is adept at recognizing country codes and **supports all European license plates**.



Mounting options for our LPR cameras

The cameras can be easily installed anywhere:

- Whether in a garage or on an outdoor parking area
- Whether on the wall, the ceiling or free-standing on a pipe upright.



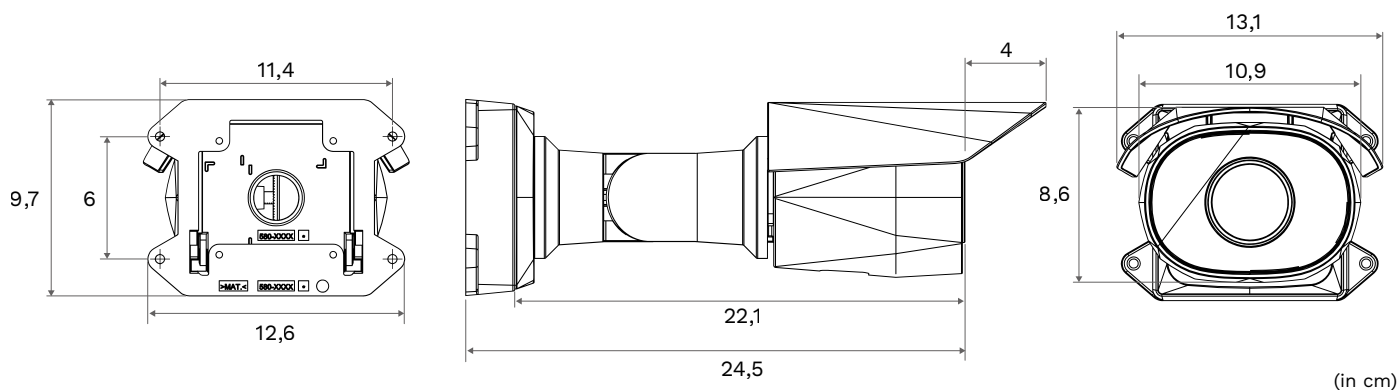
Technical information

- ➔ **Components:** LPR-Software, LPR-Cameras*, Compute Unit(s)** (POE) Network cabling
- ➔ **Dimensions (HxBxT):** 28,5 x 13,1 x 9,7 cm
The measurements may vary depending on the camera positioning.
- ➔ **Color code:** RAL9003
- ➔ **Certification:** IP66 & IK10
- ➔ **Power supply:** PoE: IEEE802.3af Class 3 compliant
- ➔ **Maximum output:** 9W

Construction services provided by the customer

- ➔ **Piping & cabling:** According to Arivo cable diagram
- ➔ **Network connection:** CAT7

Dimensions of the license plate recognition camera



Factsheet Arivo license plate recognition | Last updated: February 2024

*The number of cameras depends on the number of entrances and exits as well as possible alternating lanes.

**The number of compute units depends on the size of the parking area and the number of parking spaces managed.

This document is subject to change without notice and may not form part of any contract.