

ARIVO Free/Occupied Sign

Positive parking space search experience for your customers

To enhance customer satisfaction in car parks, parking garages and facilities.

The free/occupied sign is the perfect addition to your parking equipment, ensuring efficient traffic control without causing jams.



Advantages

- ✓ **More customer satisfaction**
Saves time & nerves when looking for a parking space
- ✓ **Modern design**
High-quality material, with LED backlighting, automatically dimmable
- ✓ **Simple, flexible wall mounting**
Can be mounted on the back using a wall bracket or freely suspended on the side (left or right)
- ✓ **Weatherproof & robust**
Suitable for outdoor installation thanks to robust stainless steel housing

Technical information

- **Components:** Aluminum frame, steel housing, LED display, wall bracket
- **Dimensions (H x B x T):** 100 x 75 x 12 cm
- **Dimensions of the LED display:** 38,4 x 19,2 cm
- **Certification:** CE

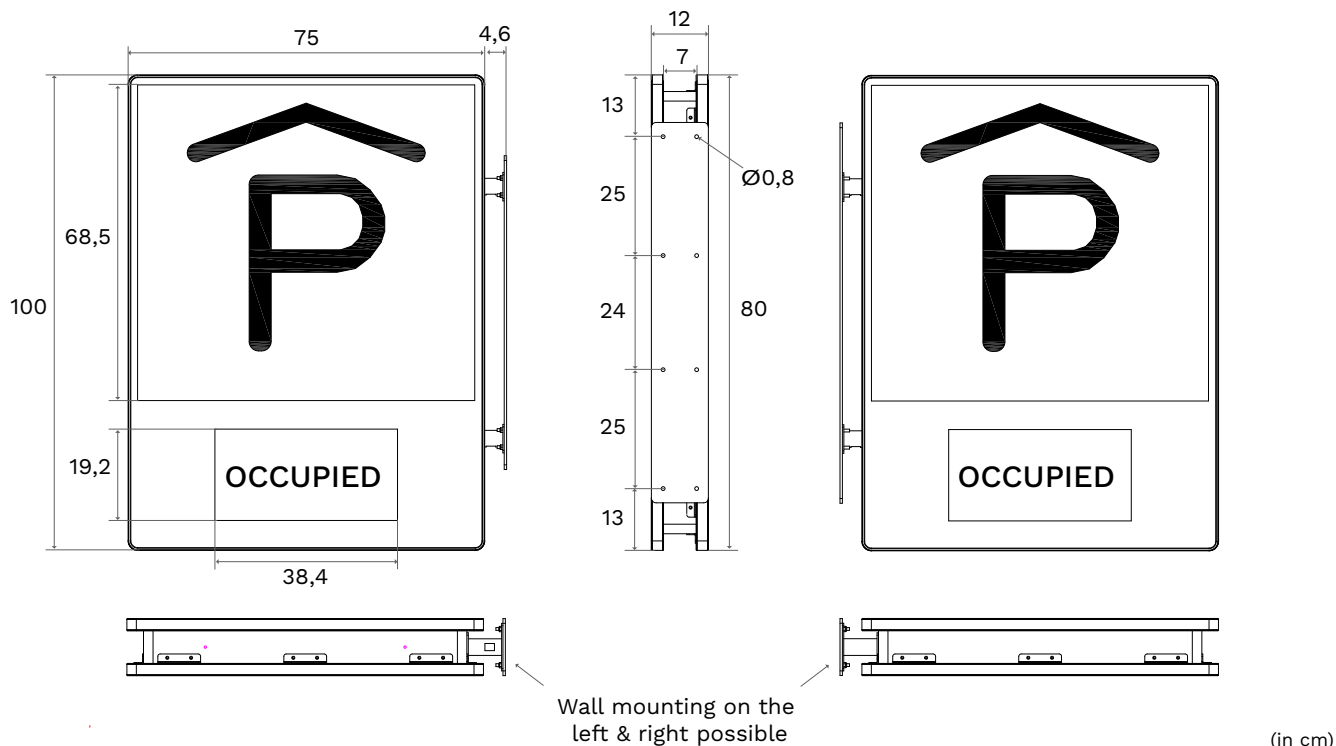
→ **Power supply:** AC230V

→ **Maximum output:** 100W

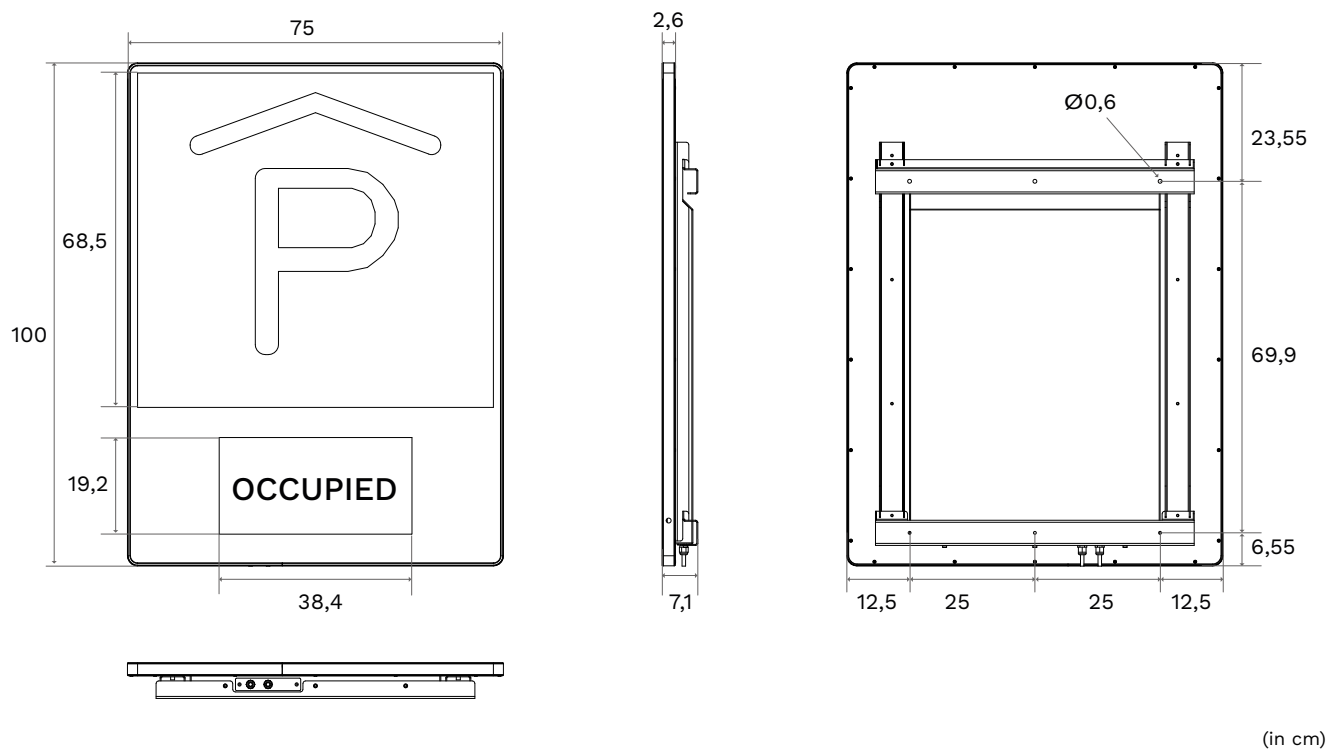
Construction services provided by the customer

- **Piping & cabling:** According to Arivo cable diagram

Dimensions of the free/occupied sign (for side wall mounting)



Dimensions of the free/occupied sign (for wall mounting on the rear)



Factsheet Arivo free/occupied sign | Last updated: January 2024

This document is subject to change without notice and may not form part of any contract.