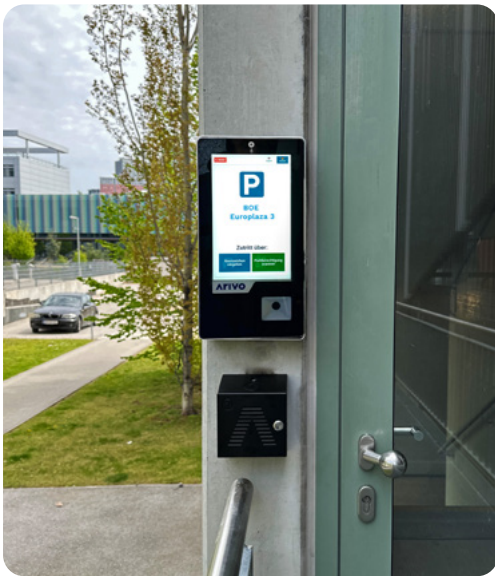


ARIVO Door Reader

Easy access for your parking customers 24/7

Simply enter your license plate number and step in - the Arivo Door Reader allows your parking customers to effortlessly open the entrance doors to your parking garage or facility at any time - as long as the vehicle is on the premises.

Thus, access is strictly restricted to third parties, providing you with complete control over individuals who can enter your garage.



Advantages

- ✓ **Intuitive operation & modern design**
Thanks to a large display (10.1"), a streamlined menu navigation & visual feedback in form of help texts.
- ✓ **Access card scan**
For long-term parkers or employees via a QR code on the respective access card.
- ✓ **Flexible mounting**
The door reader can be easily installed directly beside the entrance door using a wall bracket.
- ✓ **Weatherproof & robust**
Outdoor installation possible.
- ✓ **Emergency call function & intercom system**
As back-up & with VoIP function (any telephone number can be stored as an emergency number).

Simple operation for your parking customers

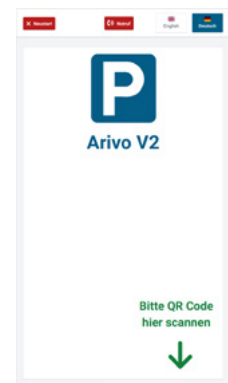
Short-term parkers

The entrance doors can be unlocked digitally by entering the license plate number of a parked vehicle.



Long-term parkers

Parking customers with a long-term parking contract can also open the doors by scanning the QR code on their personal access card.



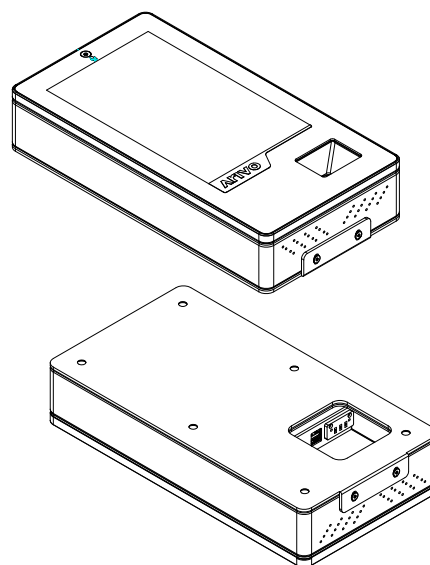
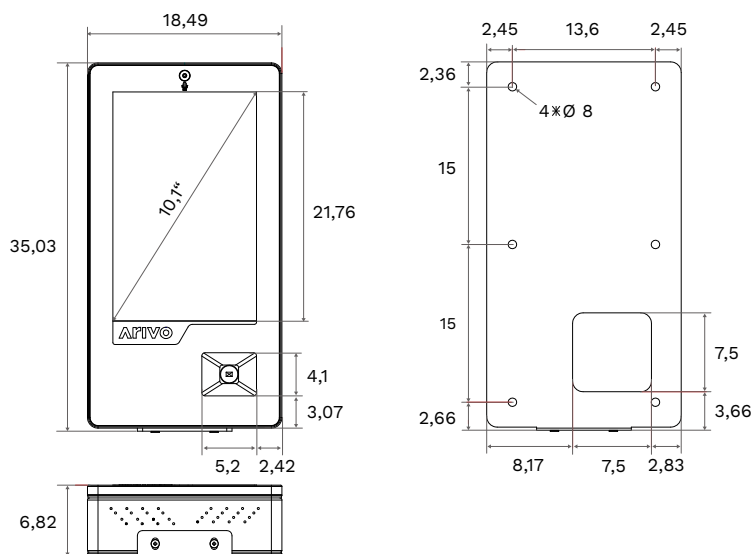
Technical information

- **Components:** Housing, touch display, QR code reader, wall mount, compute unit, intercom (microphone & loudspeaker), power & network cabling
- **Screen diagonal:** 10,1"
- **Dimensions (H x B x T):** 35 x 18,5 x 6,8 cm
- **Weight:** 4,9 kg
- **RAL-Color code of the housing:** RAL9008
- **Certification:** CE
- **Power supply:** AC 230V/50Hz max. 130mA
- **Maximum output:** 30W

Construction services provided by the customer

- **Piping & cabling:** According to Arivo cable diagram
- **Network connection:** CAT7
- **Control line:** For integrating your door opener using a potential-free contact
- **Roofing:** For outdoor installation

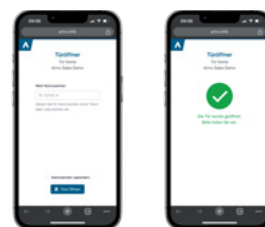
Dimensions of the door reader



(in cm)

The hardware-free alternative: The ARIVO online door opener

Those who want to avoid additional hardware in the entrance area can also grant access to their parking customers via our online door opener.



Factsheet Arivo Door Reader | Status: February 2024

This document is subject to change without notice and may not form part of any contract.